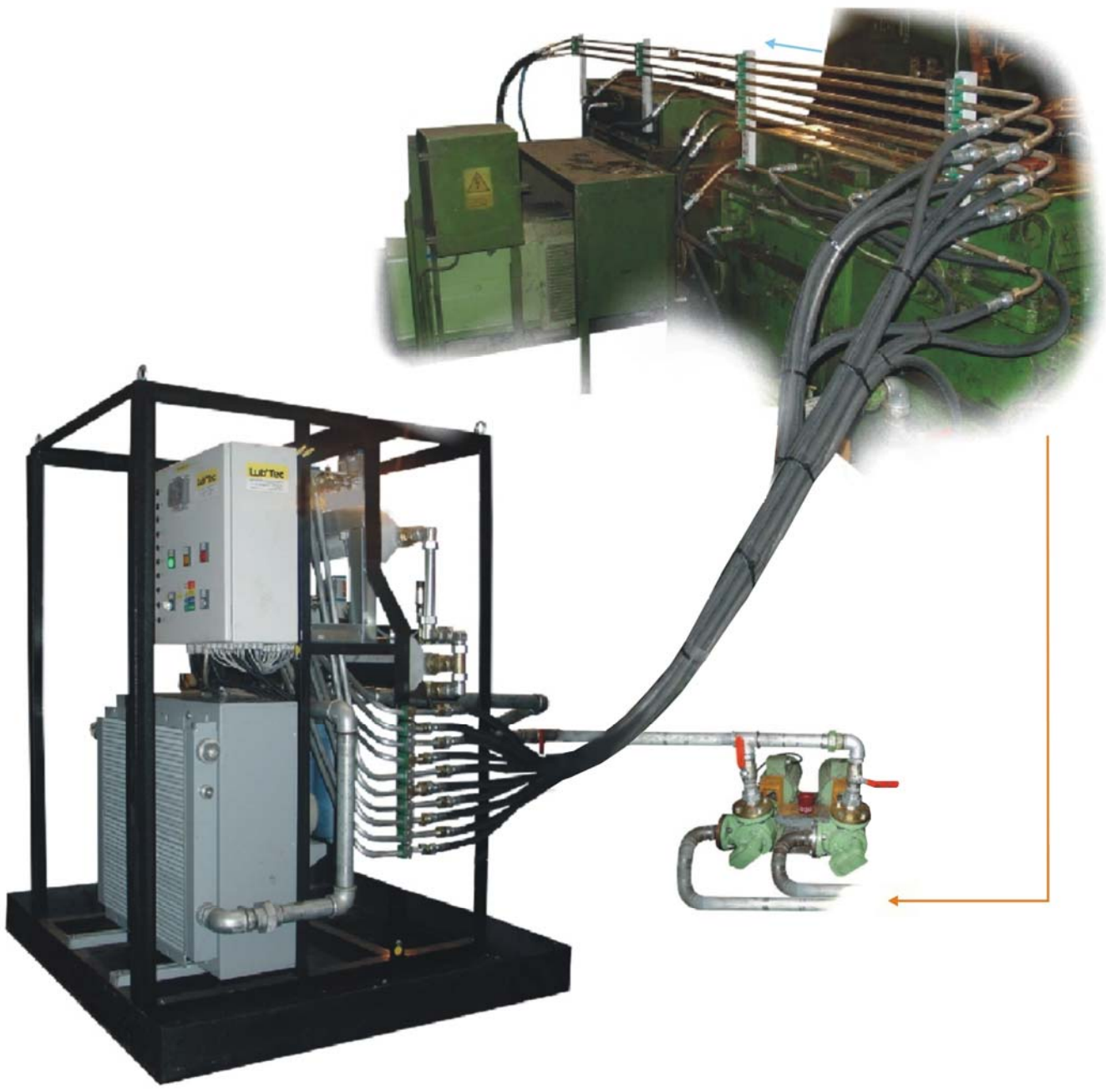


- 💧 Centralized lubrication systems
- 💧 Metering technology
- 💧 Mixing technology



LubTec central lubrication systems – circulating lubrication system



💧 **Centralized lubrication systems**

💧 **Metering technology**

💧 **Mixing technology**

LubTec

LubTec central lubrication systems - circulating lubrication system

The circulating lubrication system is intended for lubrication and often also for cooling bearings with high oil consumption demands.

Gear or piston pumps with oil tanks combined with a cooler, temperature and pressure sensors and filtration unit are often used to transport oil and to create the necessary pressure. The following elements are used for oil distribution and dosing: adjustable or fixed throttle valves, flow control switches, flow regulators, progressive distributors, multi-circuit pumps.

FUNCTION



The oil is transported by means of transportation pumps from the catch tank to the double filter with optical-electrical clogging sensor. The filter consists of two separate parts, allowing to clean one part during operation, while the other part filtrates oil.

From the filter, the oil is led to oil-air cooler equipped with a fan switched on/of automatically according to oil temperature.

From the cooler, the oil is led to the bodies with throttle valves, which distribute the oil quantity to each of the lubrication points. Oil quantity at the bodies is continuously adjustable; every board with a throttle valve is additionally equipped with a flow checking switch connected to the controller. In addition, oil temperature and pressure sensors are connected to the pressure distribution. At the end of distribution, there is a throttle valve regulating letting oil to the overflow.

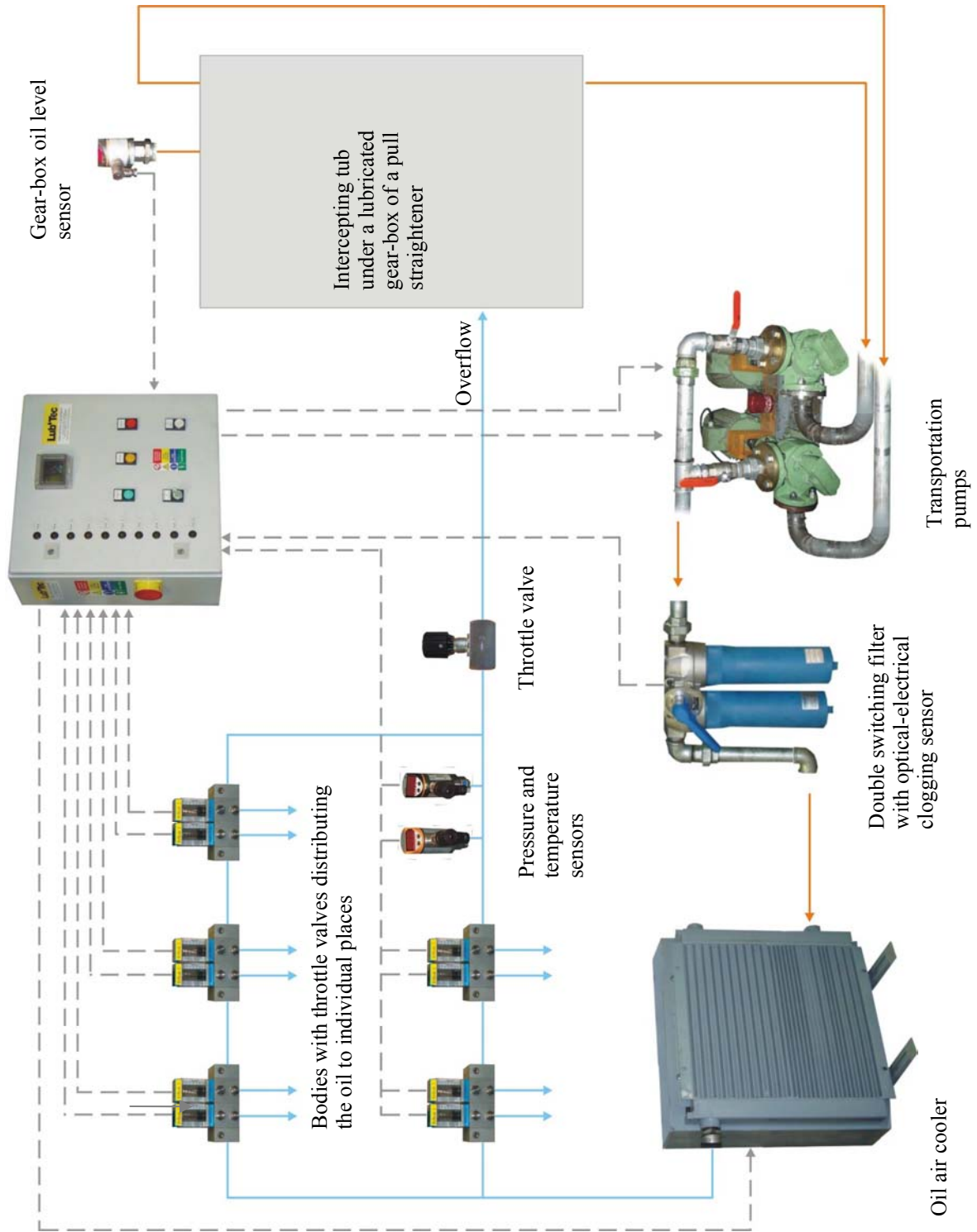
- when the throttle valve is opened, oil pressure in the system becomes lower, more oil flows to the overflow and less oil gets to the lubrication points

- when the valve is closed, more oil gets to the lubrication points

- 🔥 Centralized lubrication systems
- 🔥 Metering technology
- 🔥 Mixing technology

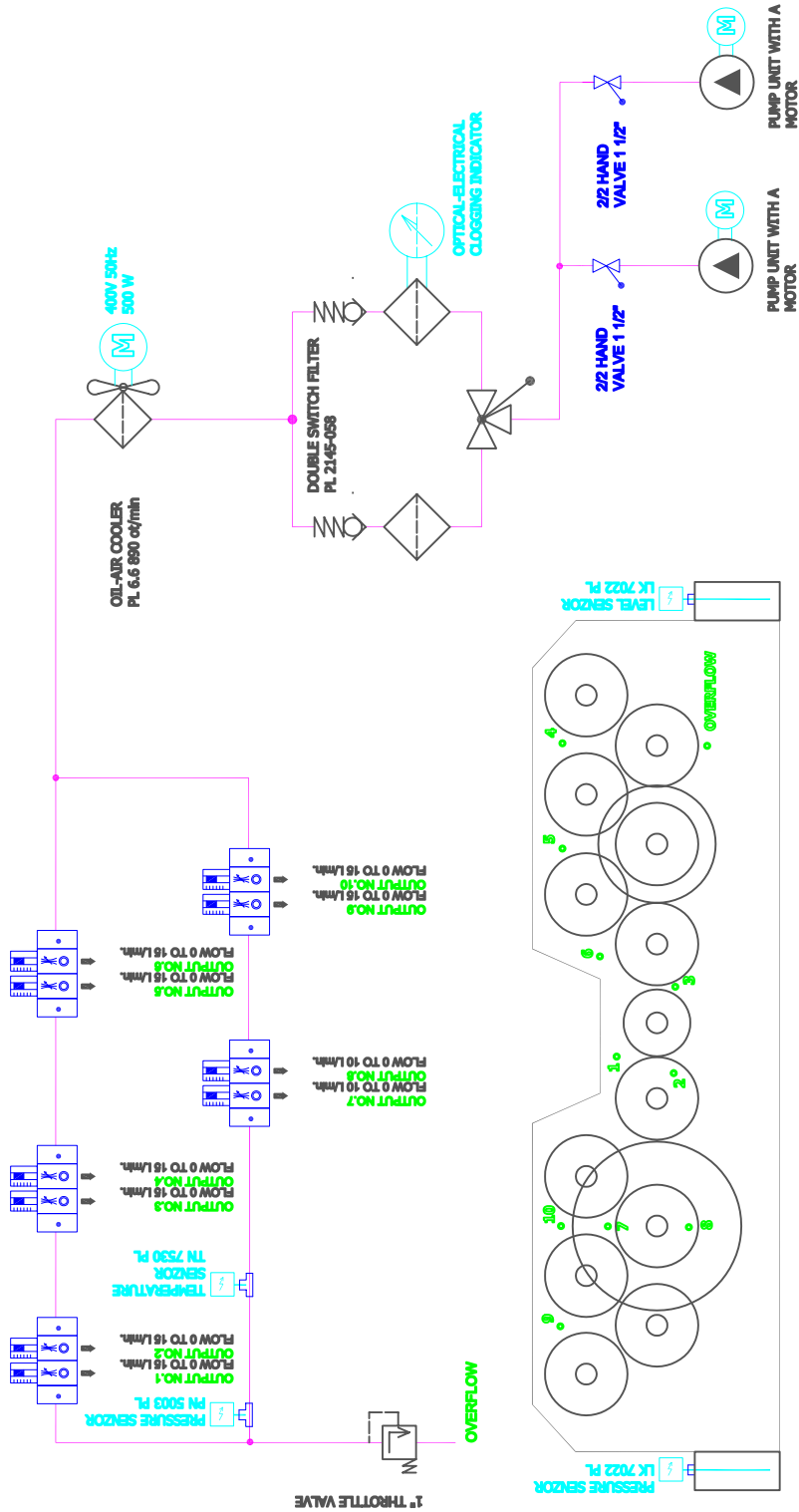


Operating diagram



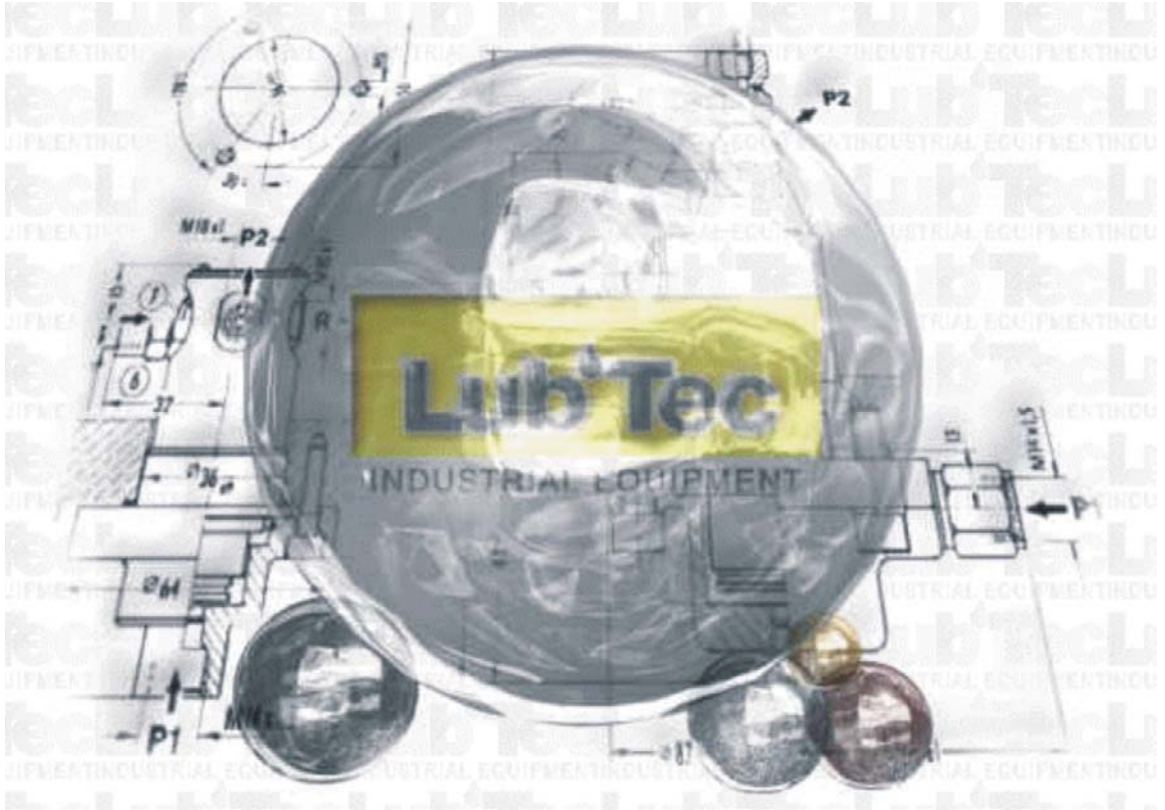
- Centralized lubrication systems
- Metering technology
- Mixing technology

LUBRICATION PLAN



- ☛ Centralized lubrication systems
- ☛ Metering technology
- ☛ Mixing technology

LubTec



LubTec s.r.o.

Opolany 4
289 07 Libice nad Cidlinou
Phone: + 420 325 637 545
Fax: + 420 325 637 184
E-mail: lubtec@lubtec.cz



LubTec-SK, s.r.o.

Hrádza 30/13
976 57 Michalová
Phone: +421 48 6189985
Fax: +421 48 6189986
E-mail: lubtec@lubtec.sk